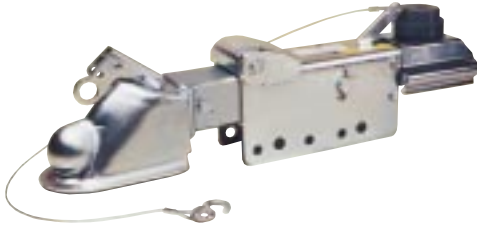


Model 6 Actuator with 2 5/16 Ball Coupler

7,500 pound capacity, Max. G.V.W.R., 600 pound tongue load, G.V.W.R. limited to ball rating.



Part No. Primed	Part No. Plated	Brake Type	Standard or Non-Standard	Weight	Pallet Qty.	Master Cyl.	Master Cyl. Assy. Kits	CPLR Repair Kit	Description
	4079200	Drum	STD	35	22	10271	17774-01	1848700	2 5/16 CPLR Bolt-On
	4747200	Disc	STD	35	22	47470	17774-05		2 5/16 CPLR Bolt-On

NOTE: For 3" wide trailer tongue.

Model 6 A-Frame (50°) Actuator w/Lunette Eye

7,500 pound capacity, Max. G.V.W.R., 600 pound tongue load.



Part No. Primed	Part No. Plated	Brake Type	Standard or Non-Standard	Weight	Pallet Qty.	Master Cyl.	Master Cyl. Assy. Kits	CPLR Repair Kit	Description
	4045500	Drum	*NON-STD	41	14	10271	17774-01		L-Eye Weld-On

Model 6 A-Frame (50°) Actuator with 2 5/16 Ball Coupler

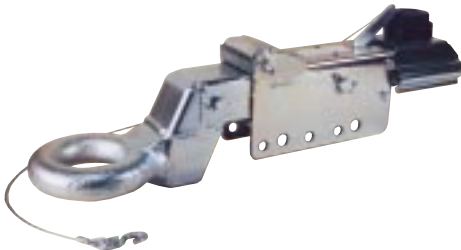
7,500 pound capacity, Max. G.V.W.R., 600 pound tongue load
G.V.W.R. limited to ball rating



Part No. Primed	Part No. Plated	Brake Type	Standard or Non-Standard	Weight	Pallet Qty.	Master Cyl.	Master Cyl. Assy. Kits	CPLR Repair Kit	Description
	4067600	Drum	*NON-STD	38	14	10271	17774-01		2 5/16 CPLR Weld-On

Model 6 Straight Actuator with Lunette Eye

7,500 pound capacity, Max. G.V.W.R., 600 pound tongue load



Part No. Primed	Part No. Plated	Brake Type	Standard or Non-Standard	Weight	Pallet Qty.	Master Cyl.	Master Cyl. Assy. Kits	CPLR Repair Kit	Description
	4093200	Drum	*NON-STD	38	20	10271	17774-01		L-Eye Bolt-On
	4748000	Disc	*NON-STD	38	20	47470	17774-05		L-Eye Bolt-On

NOTE: For 3" wide trailer tongue.

NOTE: Padlock (Master Lock #30) works with a 2 5/16" Ball Coupler.

*Non-Standard Actuators require minimum 8-week lead time and minimum order quantity may be required.

Model 6 Actuator with Multi-fit Ball Coupler

6,000 pound capacity, Max. G.V.W.R., 600 pound tongue load
G.V.W.R. limited to ball rating.

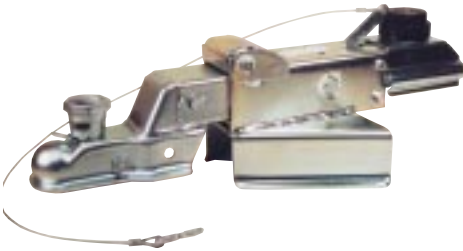


Part No. Primed	Part No. Plated	Brake Type	Standard or Non-Standard	Weight	Pallet Qty.	Master Cyl.	Master Cyl. Assy. Kits	CPLR Repair Kit	Description
	2480000	Drum	STD	28	22	10271	17774-01	40454	CPLR Bolt-On
	4747900	Disc	STD	28	22	47470	17774-05	40454	CPLR Bolt-On

NOTE: Fits 1½", 50mm and 2" ball.
For 3" wide trailer tongue.

Model 6 A-Frame (50°) Actuator with Multi-fit Ball Coupler

6,000 pound capacity, Max. G.V.W.R., 600 pound tongue load
G.V.W.R. limited to ball rating.

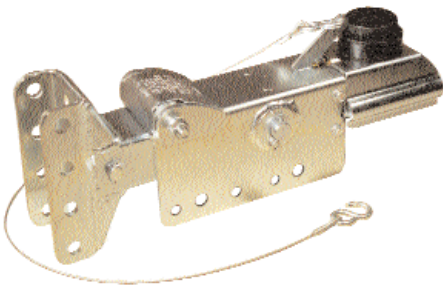


Part No. Primed	Part No. Plated	Brake Type	Standard or Non-Standard	Weight	Pallet Qty.	Master Cyl.	Master Cyl. Assy. Kits	CPLR Repair Kit	Description
	2492800	Drum	STD	31	14	10271	17774-01	40454	CPLR Bolt-On

NOTE: Fits 1½", 50mm and 2" ball.

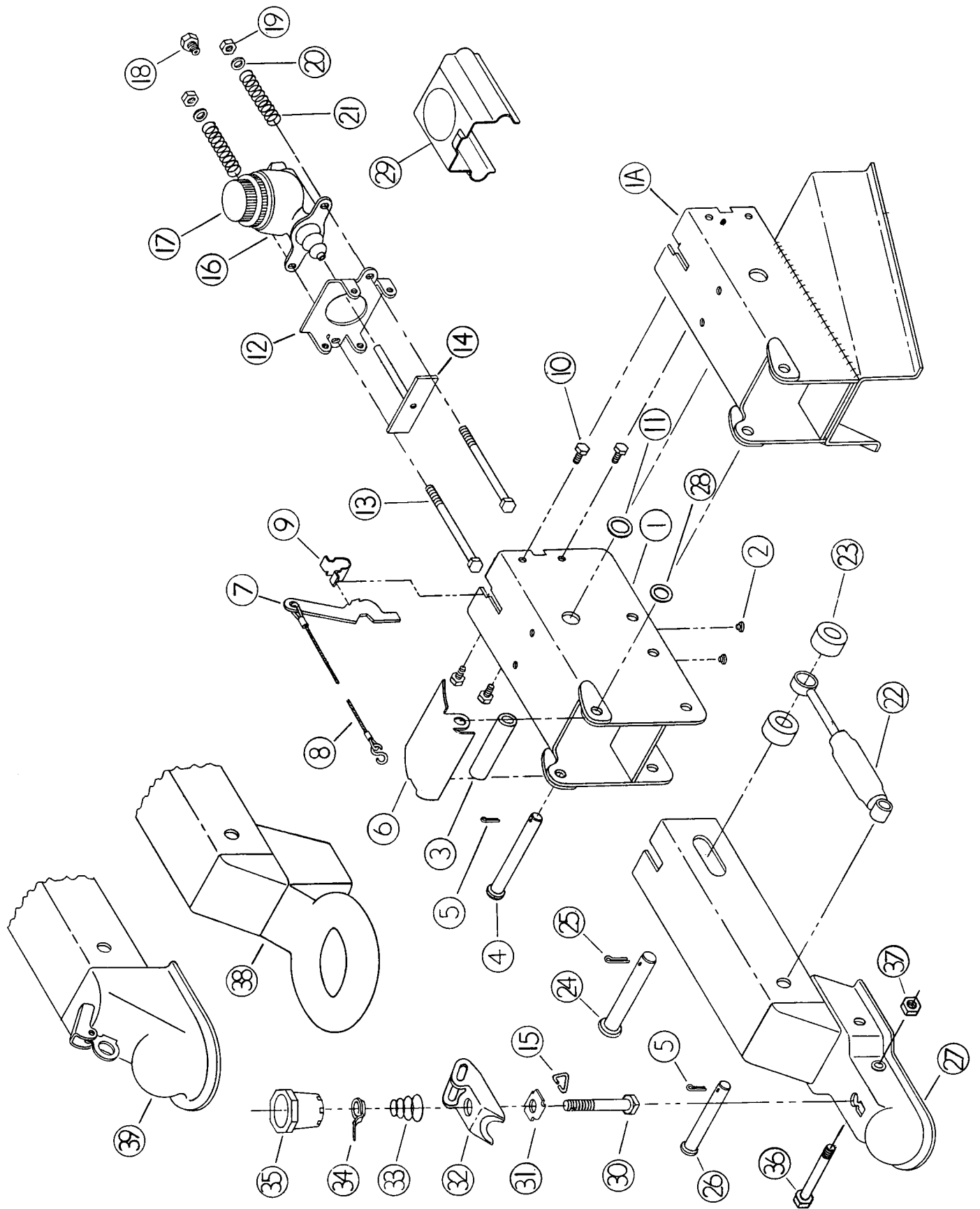
Model 6 Actuator with Leveler Channel

6,000 pound capacity, Max. G.V.W.R., 600 pound tongue load
G.V.W.R. limited to ball rating.



Part No. Primed	Part No. Plated	Brake Type	Standard or Non-Standard	Weight	Pallet Qty.	Master Cyl.	Master Cyl. Assy. Kits	CPLR Repair Kit	Description
	4744901	Drum	NON-STD	28		10271	17774-01	40454	CPLR Bolt-On

MODEL 6 ACTUATOR PARTS DIAGRAM





MODEL 6 ACTUATOR PARTS LIST

(REFER TO DIAGRAM ON PAGE 20)

MODEL 6 ACTUATOR, PART NO. 24800, 40932, 40792

MODEL 6A ACTUATOR, PART NO. 24928, 40455, 40676

KEY NO.	PART NO.	DESCRIPTION	QUANTITY REQUIRED
1	2480100183	Outer Case Assembly	1
1A	2493000	Outer Case Assembly	1
2	1242700	Bearing	2
3	1776300	Front Roller	1
4	1776600	Front Roller Pin	1
5	0799700	Cotter Pin 1/8 X 3/4	2
6	1776700	Front Roller Cover #6000	1
6	4350700183	Front Roller cover #7500	1
7	4594100	Breakaway Lever with Pin	1
8	1055500	S-Hook - Part of 4594100	1
9	1780300	Breakaway Spring	1
10	1781500	Hex Bolt 5/16 X 1/2 Self Tapping	4
11	1861900	Washer	1
12	1776200	Cylinder Mounting Plate	1
13	1027300	Hex Bolt 3/8 NC X 5	2
14	4390500	Push rod Assembly	1
*15	2496400	Lock-Ring	1
16	1027100	Master Cylinder	1
17	1755600	Master Cylinder Cap with Gasket	1
18	1209800	Connector. 1/64 Orifice	1
19	0797600	Nut -- Hex 3/8 NC	2
20	0782000	Washer 3/8	2
21	1027400	Spring	2
22	1242600	Damper	1
23	0829100	Rear Roller	2
24	1777300	Master Pin	1
25	0815200	Cotter Pin	1
26	1777200	Damper Pin	1
27	4391600	Inner Slide Assembly with Bolt & Locknut	1
28	1831600	Washer	1
29	1806600183	Cover	1
*30	2338100	Latch Bolt	1
*31	1809000	Lock Plate	1
*32	4335800	Ball Latch	1
*33	4336800	Compression Spring	1
*34	2338300	Hand Wheel Lock	1
*35	2420000	Hand Wheel	1
*36	2339000	Bolt - Hex 7/16 NF 2-5/8	1
*37	2339100	Locknut - Hex 7/16 NF Thin	1
*38	4045600	Inner Slide w/3" Lunette Eye	1
*39	4067700183	Inner Slide w/2-5/16" Ball Coupler	1
	1502600	Master Cylinder Repair Kit Wagner	1
	4045400	Multi-Fit Coupler Repair Kit (Bolt and locknut Replace Riveted Pin)	1
	1848700	2-5/16" Ball Coupler Repair Kit	1
	4808000	Backup Valve Kit	1

* These parts are included in the 4045400 Coupler Repair Kit.