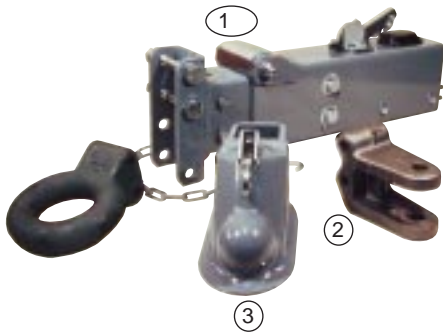


**Basic capacity 10,000 lbs. G.V.W.R., 800 lbs. tongue load**  
 The Model 10 is demountable when installed with mounting channel for 3" width tongue or may be welded for permanent installation. This actuator is available with ball couplers, 3" lunette eye, and adjustable clevis hitch. Usage suggested for recreational and light industrial trailers towed by passenger cars and light trucks. ZINC PLATED (MARINE) MODELS AVAILABLE FOR GREATER CORROSION RESISTANCE.



### Model 10 Actuator with Leveler Channel

10,000 pound capacity

Part No. Primed	Part No. Plated	Brake Type	Standard or Non-Standard	Weight	Pallet Qty.	Master Cyl.	Master Cyl. Assy. Kits	CPLR Repair Kit	Description
① 2404600		Drum	STD	45	15	23744	10187		Leveler Channel Only
② 1607900		Drum	STD	54	15	23744	10187		8979 Clevis Hitch
③ 1890900		Drum	STD	57	15	23744	10187	18487	18820 2 <sup>5</sup> / <sub>16</sub> CPLR
④ 1891100		Drum	STD	57	15	23744	10187		16137 Lunette Eye



### Model 10 Actuator with Leveler Channel and Mounting Channel For 3" Width Tongue

10,000 pound capacity

Part No. Primed	Part No. Plated	Brake Type	Standard or Non-Standard	Weight	Pallet Qty.	Master Cyl.	Master Cyl. Assy. Kits	CPLR Repair Kit	Description
① 4238300		Drum	*NON-STD	60	15	23744	10187	18487	2 <sup>5</sup> / <sub>16</sub> CPLR
② 4238500	4809800	Drum	*NON-STD	61	15	23744	10187		With Lunette Eye
③ 2324800	4809700	Drum	*NON-STD	49	15	23744	10187		Leveler
③	4809900	Disc	*NON-STD	49	15	47471	47495-01042		Act w/Leveler
②	4810000	Disc	*NON-STD	61	15	47471	47495-01042		With Lunette Eye

\*Non-Standard Actuators require minimum 8-week lead time and minimum order quantity may be required.



### Model 10 Actuator with 2-5/16 Drop Coupler Less Channel

10,000 pound capacity

Part No. Primed	Part No. Plated	Brake Type	Standard or Non-Standard	Weight	Pallet Qty.	Master Cyl.	Master Cyl. Assy. Kits	CPLR Repair Kit	Description
1735200		Drum	STD	53	15	23744	10187	18487	2 <sup>5</sup> / <sub>16</sub> CPLR Weld-On

## Model 10 Actuator - Straight 2-5/16 Ball Coupler Less Channel



10,000 pound capacity

Part No. Primed	Part No. Plated	Brake Type	Standard or Non-Standard	Weight	Pallet Qty.	Master Cyl.	Master Cyl. Assy. Kits	CPLR Repair Kit	Description
1607500		Drum	STD	50	18	23744	10187	18487	2 <sup>5</sup> / <sub>16</sub> CPLR Weld-On
4749600		Disc	STD	50	18	47471	47495-00		2 <sup>5</sup> / <sub>16</sub> CPLR Weld-On

## Model 10 Actuator - Straight with Lunette Eye Less Channel



10,000 pound capacity

Part No. Primed	Part No. Plated	Brake Type	Standard or Non-Standard	Weight	Pallet Qty.	Master Cyl.	Master Cyl. Assy. Kits	CPLR Repair Kit	Description
1607700		Drum	**NON-STD	54	18	23744	10187		L-Eye Weld-On
*1664500		Drum	**NON-STD	58	15	23744	10187		L-Eye Bolt-On

\*With mounting channel for 3" width tongue.

\*\*Non-Standard Actuators require minimum 8-week lead time and minimum order quantity may be required.

## Model 10 Actuator less Coupler and Channel



10,000 pound capacity

Part No. Primed	Part No. Plated	Brake Type	Standard or Non-Standard	Weight	Pallet Qty.	Master Cyl.	Master Cyl. Assy. Kits	CPLR Repair Kit	Description
1608000		Drum	STD	41	30	23744	10187		Weld-On

## Model 10 Actuator - Straight less Coupler, with Mounting Channel for 3" Width Tongue



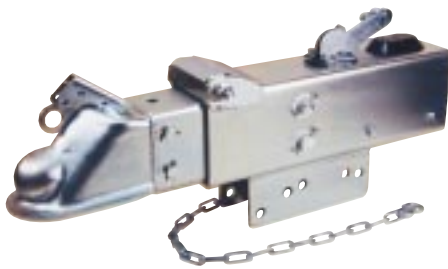
10,000 pound capacity

Part No. Primed	Part No. Plated	Brake Type	Standard or Non-Standard	Weight	Pallet Qty.	Master Cyl.	Master Cyl. Assy. Kits	CPLR Repair Kit	Description
1664900		Drum	*NON-STD	45	15	23744	10187		Bolt-On

\*Non-Standard Actuators require minimum 8-week lead time and minimum order quantity may be required.

## Model 10 Actuator - Straight with 2-5/16 Ball Coupler and Mounting Channel for 3" Width Tongue

10,000 pound capacity



Part No. Primed	Part No. Plated	Brake Type	Standard or Non-Standard	Weight	Pallet Qty.	Master Cyl.	Master Cyl. Assy. Kits	CPLR Repair Kit	Description
	2477600	Drum	STD	54	15	23744	10187	18487	2 <sup>5</sup> / <sub>16</sub> CPLR Bolt-On
1664300		Drum	*NON-STD	54	15	23744	10187	18487	2 <sup>5</sup> / <sub>16</sub> CPLR Bolt-On
	4750800	Disc	STD	54	15	47471	47495-01042	18487	2 <sup>5</sup> / <sub>16</sub> CPLR Bolt-On

\*Non-Standard Actuators require minimum 8-week lead time and minimum order quantity may be required.

## Model 10 Actuator - 2-5/16 Ball Drop Coupler and Mounting Channel for 3" Width Tongue

10,000 pound capacity



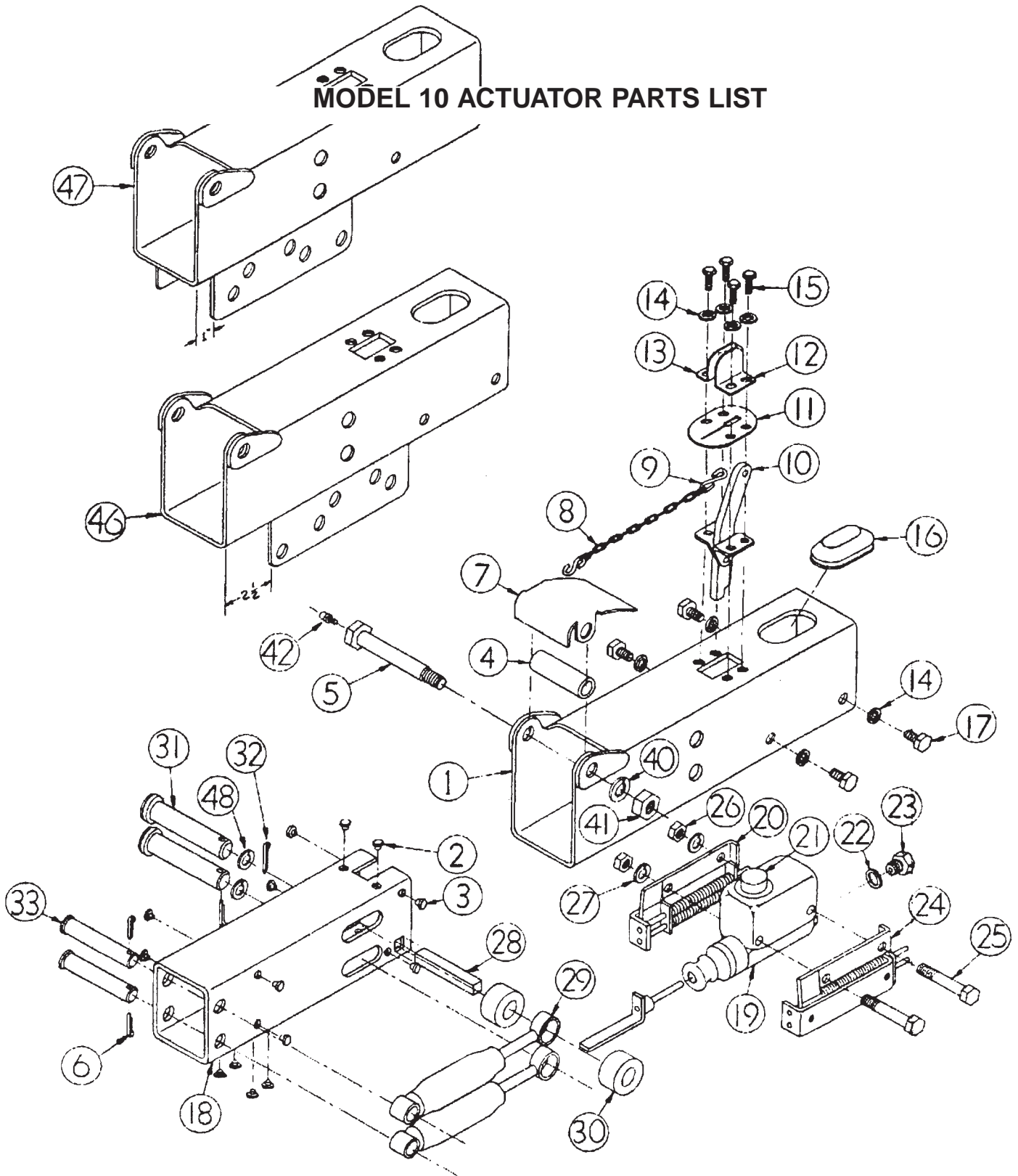
Part No. Primed	Part No. Plated	Brake Type	Standard or Non-Standard	Weight	Pallet Qty.	Master Cyl.	Master Cyl. Assy. Kits	CPLR Repair Kit	Description
	2478100	Drum	STD	57	15	23744	10187	18487	2 <sup>5</sup> / <sub>16</sub> CPLR Bolt-On
	4750600	Disc	STD	57	15	47471	47495-01042		2 <sup>5</sup> / <sub>16</sub> CPLR Bolt-On
1772700		Drum	STD	56	15	23744	10187	18487	2 <sup>5</sup> / <sub>16</sub> CPLR Bolt-On

\*Use 5/8" Mounting Bolt.

NOTE: Padlock (Master Lock #30) works with a 2<sup>5</sup>/<sub>16</sub>" Ball Coupler.

MODEL 10 ACTUATOR PARTS DIAGRAM

MODEL 10 ACTUATOR PARTS LIST



(REFER TO DIAGRAM ON PAGE 31)

**MODEL 10 ACTUATOR PARTS LIST**

REF #	DESCRIPTION	ATTACHMENT	ASSEMBLY	INNER SLIDE	OUTER CASE
1	BODY ONLY	WELD-ON	1608000	1593300	1601600
1	BODY CONLY	WELD-ON	2404600	1608700	1601600
1	2-5/16" BALL COUPLER	WELD-ON	1607500	1608400	1601600
1	2-5/16" BALL COUPLER	1/2" BOLT-ON	1664300	1608400	2477700
1	2-5/16" BALL COUPLER, ZINC PLATE	1/2" BOLT-ON	2477600	1608400	2477700
1	2-5/16" DROP COUPLER	WELD-ON	1765200	2478300	1601600
1	2-5/16" DROP COUPLER	5/8" BOLT-ON	1772700	2478300	1685500
1	2-5/16" DROP COUPLER, ZINC PLATE	5/8" BOLT-ON	2478100	2478300	2478200
1	2-5/16" ADJUSTABLE COUPLER	WELD-ON	1890900	1608700	1601600
1	2-5/16" ADJUSTABLE COUPLER	5/8" BOLT-ON	4238300	1608700	1685500
1	3" ADJUSTABLE LUNETTE TYE	WELD-ON	1891100	1608700	1601600
1	3/4" ADJUSTABLE CLEVIS HITCH	WELD-ON	1607900	1608700	1601600
1	3" ADJUSTABLE LUNETTE EYE	5/8" BOLT-ON	4238500	1608700	1685500
1	2" LUNETTE EYE	WELD-ON	1607700	1608600	1601600
1	MTG. CHANNEL w/WELD-ON L-EYE	1/2" BOLT-ON	1664500	1608600	2477700

REF. NO.	PART NO.	PART DESCRIPTION	QTY.
1	See Above	Outer Case and Inner Slide Assy.	1
2	1020900	Bearing (Top and Bottom)	6
3	11242700	Bearing (Side)	8
4	1601900	Front Roller	1
5	0828800	Front Roller Bolt	1
6	0799700	Cotter Pine 1/8 X 3/4	2
7	1601800	Front Roller Cover	1
8	0776800	Breakaway Chain	4 ft.
9	1055500	S-Hook	2
10	1054100	Breakaway Lever Assembly	1
11	1055200	Weather Seal	1
12	1052600	Breakaway Lock - Left	1
13	1052700	Breakaway Lock - Right	1
14	0793800	Lockwasher 5/16 Std.	8
15	0794900	Bolt - Hex 5/16 NC X 5/8	4
16	1507000	Cylinder Cover	1
17	0794800	Bolt - Hex 5/16 NC X 1/2	4
	1255200	Star Lockwasher 3/8 (Included in 23746 Assy.)	1
18	1899500	Plastic Cylinder Plug (Included in 23746 Assy.)	1
19	2374400	Master Cylinder 1-1/4" Bore Drum Brake	1
19	4747100	Master Cylinder Disc Brake	1
20		Push Rod Assmebly (Included in 23744)	1
21	1250300	Filler Cap (Included in 23744) - 1-5/8 - 18 NEF	1
22	0774500	Gasket	1
23	1209900	Connector, 1/64 Orifice Drum Brake	1
23	4750200,	Connectors Disc Brake	1
	4750300		
24	0838800	Cylinder Bracket Assembly	1
25	0838900	Cylinder Bracket Assembly	1
26	0827100	Bolt - Hex 3/8 NC X 3"	2
27	0797600	Nut - Hex 3/8 NC	2
28	0830100	Push Rod Block	1
29	1242600	Damper	2
30	0829100	Rear Roller	2
31	1593500	Master Pin	2
32	0815200	Cotter Pin	2
	1861900	Nylon Washer 29/32 X 1-3/8	2
33	1593400	Damper Pin	2
40	0793700	Lockwasher 1/2" Zinc	1
41	0798500	Hex Nut 1/2-13	1
42	01449-01	Zerk 35/64	1
46	2477700	Outer Case Primer w/2-1/2" Offset, Zinc Plate available	2
47	1685500	Outer Case Primer w/1" Offset, Zinc Plate available	2
	4823800	Master Cylinder Repair Kit Disc Brake	1